

Operating Instructions



CA-2076-01

Important Safety Information

- **Read the Manual:** Carefully review this entire manual before installing or operating the thermostat.
- **Power Down:** Always turn off the power at the main source before installation, maintenance, or cleaning.
- **Professional Installation:** It is recommended to have a qualified professional install the thermostat.
- **Wiring Compliance:** Ensure all wiring conforms to local and national electrical codes.
- **Proper Use:** Use the thermostat only as described in this manual.

Specification

The Calda CA-2076-01 is a programmable thermostat designed to provide precise temperature control for your underfloor heating system. It features a user-friendly interface, advanced programming options, and smart home integration for optimal comfort and energy efficiency.

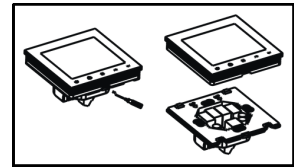
- Power Supply: 100-240VAC 50/60Hz
- Maximum Load: 3A/250VAC
- Room Temperature Setting Range: 5°C to 35°C
- External Sensor Control Range: 5°C to 70°C
- Accuracy: 0.1°C
- Operating Environment Temperature: 0°C to 50°C
- Storage Temperature: -10°C to 60°C
- Dimensions: 86mm x 86mm x 13mm
- External Sensor: NTC100K or NTC10K (optional)

Key Features

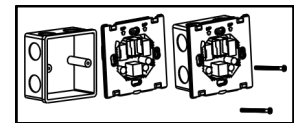
- **Large 4-inch Display:** Easy-to-read interface for quick adjustments.
- **WIFI Enabled:** Control via mobile app, Alexa, or Google Home.
- **Touch Control:** Intuitive and responsive touch interface.
- **Display Temperature Recalibration:** Ensures accurate temperature readings.
- **Versatile Temperature Settings:** Can be configured for air or floor temperature.
- **7-Day Programmable Schedule:** Customize heating and cooling settings for each day of the week.

Installation

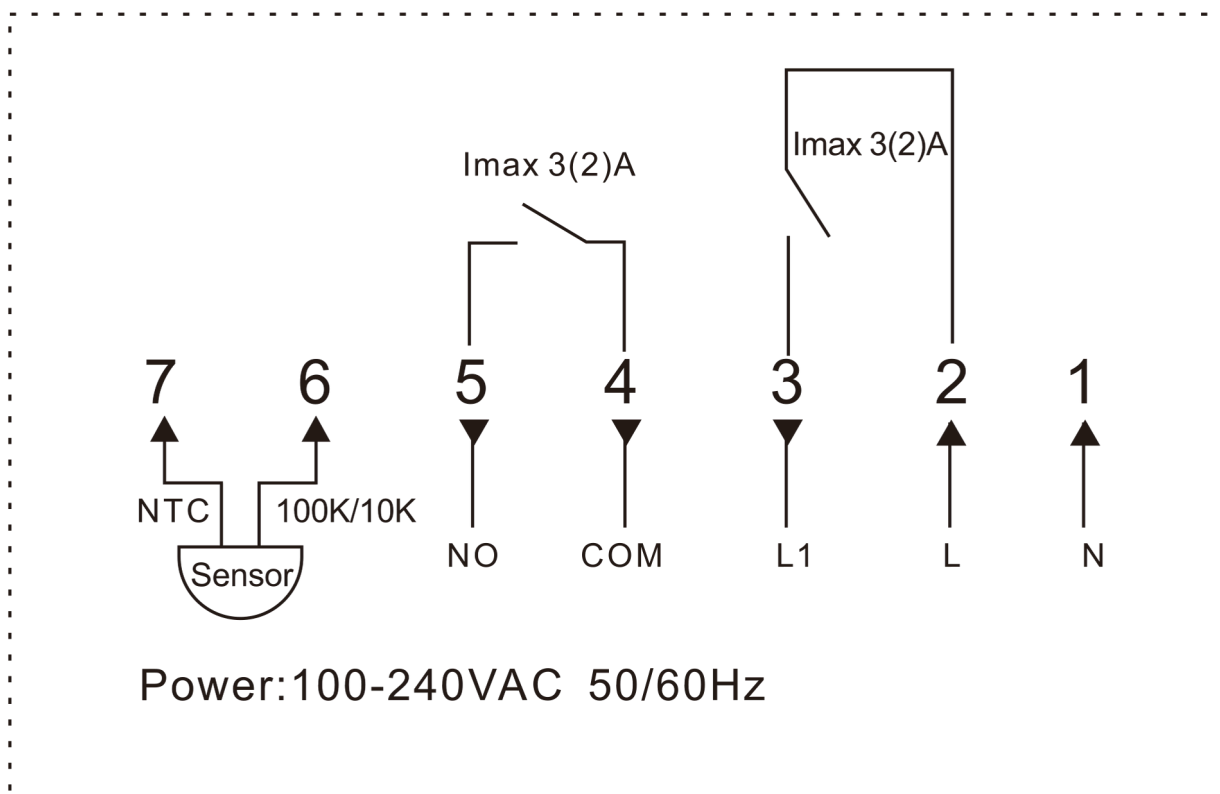
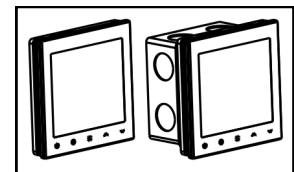
- Open the panel by removing the screws.



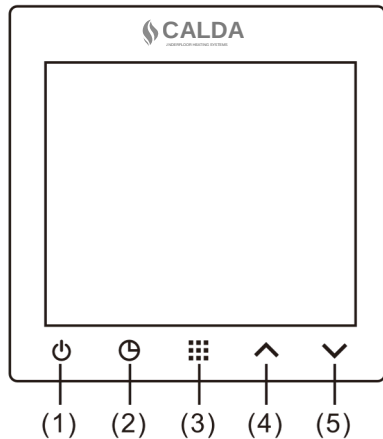
- Install the base into the desired location.
- Secure the base with mounting screws.



- Connect the wiring according to the wiring diagram.
- Attach the panel to the base.



Operating Instructions



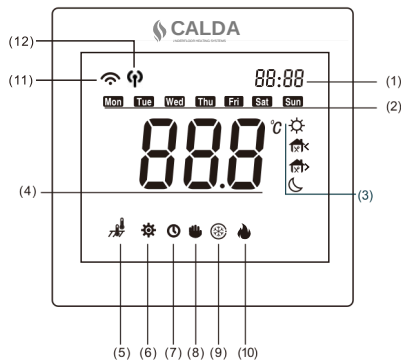
(1) **Power/Confirm Button:** Turns the thermostat on/off and confirms settings.

(2) **Time Button:** Accesses time setting options.

(3) **Menu Button:** Navigates through the menu options.

(4) **Up/Down Arrows:** Adjust temperature settings and menu selections.

(5) **Display Screen:** Shows current temperature, time, settings, and status icons.



(1) **Temperature/Time Display**

(2) **Week Day Display**

(3) **Program Option**

(4) **Temperature Display**

(5) **Sensor Mode**

(6) **Configuration Setting**

(7) **Programme Status**

(8) **Manual Status**

(9) **Anti-Freeze Function**

(10) **Heating Call**

(11) **WIFI Enabled**

(12) **Access Point Mode**

Configuration Settings

The configuration menu allows you to customise various parameters to suit your preferences.

Accessing the Menu:

1. Turn off the thermostat.
2. Press and hold the Menu button for 5 seconds to enter the configuration menu.

Navigation:

- Use the Up/Down arrow buttons to select an item.
- Press the Menu button to enter or confirm a selection.

Saving Changes:

- Press the Power/Confirm button to save your settings.

Factory Reset:

- In the configuration menu, press and hold the Menu button for 3 seconds until "DEF" is displayed to restore factory default settings.

Item	Displayed (factory default)	Description
1	CL (0.0)	Calibrates the temperature reading for accuracy. Adjust within a range of -6.0 to +6.0.
2	AH (35°C)	Sets the maximum temperature limit. Adjust within a range of 20°C to 70°C.
3	AL (5°C)	Sets the minimum temperature limit. Adjust within a range of 5°C to 20°C.
4	FH (40°C)	Sets the maximum floor temperature limit (when using a floor sensor). Adjust within a range of 20°C to 70°C.
5	FL (5°C)	Sets the minimum floor temperature limit (when using a floor sensor). Adjust within a range of 5°C to 20°C.
6	SEN (In)	Selects the sensor for temperature control: AL: Uses both room and floor temperature. In: Uses only room temperature. OU: Uses only an external sensor.
7	L(2)	Controls the backlight: 1: Backlight on for 30 seconds when a button is pressed. 2: Backlight bright for 30 seconds then dims to 20%. 3: Backlight always on.
8	P51 (0)	Enables or disables the 7-day programmable schedule. 7: Programmable schedule enabled. 0: Programmable schedule disabled.
9	ES (OF)	Activates or deactivates the Optimum Start function. On: Optimum Start enabled. OF: Optimum Start disabled.
10	An (OF)	Enables or disables the anti-freezing function. On: Anti-freezing enabled. OF: Anti-freezing disabled.
11	nEc (100)	Selects the type of external sensor: 100: 100K sensor. 10: 10K sensor.
12	45 (On)	Enables or disables time synchronisation with network time. On: Network time synchronisation enabled. OF: Network time synchronisation disabled.

Time Setting

1. With the thermostat on, press and hold the Time (2) button for 5 seconds.
2. Use the Time (2) button to cycle through minutes, hours, years, months, and day.
3. Use the Up/Down arrows (4, 5) to adjust the settings.
4. Press the Power/Confirm (1) button to save the time.

Operation Modes

- **Manual Mode (8):** Allows direct temperature setting without a program.
- **Temporary Mode (7, 8):** Overrides the program temporarily until the next program period.
- **Programmable Mode (7):** Follows the 7-day program for automated temperature control.

Programming the Thermostat

1. With the thermostat on, long press the Menu (3) button to enter program setting mode.
2. Short press the Menu (3) button to select the day, time, and temperature for each program period.
3. Use the Up/Down arrows (4, 5) to adjust the settings.
4. Press the Power/Confirm (1) button to save the program.

Alarm Instructions

The thermostat will display error messages if any issues are detected:

- **Er1:** Internal sensor error. Heating output will stop.
- **Er2:** External sensor error or missing sensor. Heating output will stop.

Linking to the Tuya Smart App



Steps:

Download the App:

- Go to the App Store (iOS) or Google Play Store (Android) and search for "Tuya Smart".
- Download and install the app on your smartphone.

Register or Log In:

- Open the Tuya Smart app.
- If you are a new user, tap "Register" to create an account.
- If you already have an account, tap "Log in" and enter your credentials.

Add Device:

- On the app's main screen, tap "Add Device" or the "+" icon.
- Select "Small Home Appliances" and then "Thermostat (Wi-Fi)".

Connect to Wi-Fi:

- Ensure your phone is connected to a 2.4 GHz Wi-Fi network.
- Enter the Wi-Fi network name and password in the app.
- Tap "Next".

Reset the Thermostat:

- Press and hold the Reset button on the thermostat for 5 seconds until the indicator light blinks.

Choose Connection Mode:

- The app will prompt you to select the status of the indicator light: Blink Quickly (EZ Mode): Easier setup process.
- Blink Slowly (AP Mode): Requires connecting your phone to the thermostat's hotspot.

Follow On-Screen Instructions:

- The app will guide you through the remaining steps.

Device Added:

- Once the connection is successful, you will see a confirmation message in the app.
- You can now control your thermostat from the app.